

## Rho P10 160

The most versatile and productive, entry level industrial flatbed with proven P10 quality



The Rho P10 160 UV inkjet printer offers unrivalled media flexibility both in size and type and productivity is the same for rigid and roll material. As a result of Durst's latest Quadro Array 10 printhead technology, the Rho P10 160, like all other P10 models, provides unrivalled print quality whilst maintaining the high level of productivity. It is capable of printing up to 100 m<sup>2</sup>/h and 1000 dpi. With best ink adhesion, media flexibility is further enhanced.

It combines compact, robust industrial design with production efficiency and reliability, making the Rho P10 160 a true industrial printer capable of uninterrupted production with minimum downtime.

Its small footprint, fine art printing quality and flexibility offers printers, sign companies and graphic studios the opportunity of entering the profitable industrial large format inkjet market.

Engineered by Durst for versatility, reliability and performance the key benefits of the Rho P10 160 flatbed include:

- Latest Durst Quadro Array 10 printhead technology for outstanding print quality without loss of speed
- Continuous printing process maximises productivity (no pauses for masking found in a table system)
- Roll to roll printing option
- Printing of light colours and process colour addition (orange and violet) without loss of speed
- Ease of use and fast maintenance optimises production efficiency
- Highest reliability in the market (24/7 production)

# Technical Data

## General specifications

### Dimensions:

Width: 390 cm (154 in.)

Length: 105 cm (41 in.)

Length with tables: 380 (150 in.)

Height: 196 cm (67 in.)

### Weight:

Approx. 2000 Kg (4.410 lb)



## Printing specifications

### Resolution:

1000 dpi

### Colours:

Standard: CMYK

Optional: Light Cyan and Light Magenta, White, Process Colour Addition (PCA)

### Inks:

UV curable pigment inks for interior and exterior applications.

### Software/RIP:

Durst Rho Linux software for very fast processing with minimum storage capacity on the hard disk.

External Caldera RIP Server (CopyRip)

### Productivity:

Up to 100 m<sup>2</sup>/hour (1100 sq.ft./hour) – continuous printing at full width

## Media specifications

### Maximum printing width:

160 cm (62 in), media dependent

### Maximum printing length:

Only restricted by media length

### Maximum thickness:

Roll to roll: up to 2 mm (0.07 in.)

Boards: up to 40 mm (1.57 in.)

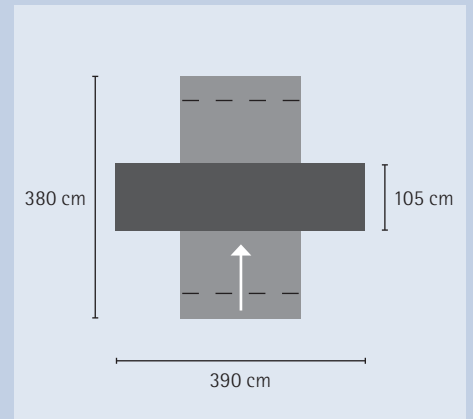
### Maximum media weight:

Roll to roll: up to 20 kg (44 lb)

Boards: up to 20 kg (44 lb)

### Smallest sheet size:

DIN-A3 – 29.7 × 42 cm (12 × 17 in.)



## Ambient conditions

### Space requirement:

5 × 5 m (16 × 16 ft.)

### Max. sea level of installation:

2.400 m (8.000 ft) above sea level

### Temperature range:

+15 °C to +30 °C (+59°F to 86°F) non-condensing

### Relative air humidity:

25 - 80 % non-condensing

## Durst Phototechnik AG Large Format Printing

Julius-Durst-Strasse 4  
39042 Brixen/Bressanone, Italy  
P.: +39 0472 81 01 11  
F.: +39 0472 83 09 80  
www.durst-online.com  
info@durst.it

## Durst Phototechnik Digital Technology GmbH

Julius-Durst-Strasse 11  
9900 Lienz, Austria  
P.: +43 4852 7 17 77  
F.: +43 4852 7 17 77 50  
www.durst-online.com  
info@durst-online.at

The latest technical developments are constantly being incorporated into Durst products. Illustrations and descriptions are therefore subject to modification. All rights reserved on images and illustrations.

Durst® is a Registered Trade Mark

Copyright Durst Phototechnik AG  
IX251EN - 11/2013

